

BAYOU

An archipelago
of harmonious
fluid forms

DESIGN MR.FRÄG



**SWISS
DESIGN**
FURNITURE
MAKER
SINCE 1976



BAYOU COLLECTION OF ANGLED LOUNGES, STRAIGHT LOUNGES, OTTOMANS, COFFEE TABLE, LAPTOP TABLE, PLANTER TABLE & FREESTANDING SCREENS

Bayou, created as a casual 'work-soft' meeting system with highly configurable elements designed by Frag Woodall of MR.FRÄG design studio. As its name suggests this collection of furniture pieces come together creating a relaxed and contemplative environment of seating, tables, ottomans and screens.

Evoking collaboration with a focus on comfortable communication. Bayou creates moments for working, gathering, and relaxation in graphic dynamic formats.

With variable lengths and gentle angles Bayou defines a space as an Archipelago of harmonious fluid forms. Effortless smooth lines and a texturally rich material palette describe this collection.



BAYOU: a slow
moving stream or
body of water.

Freestanding Screen
BS-20

Angled Lounge
BL120R-20

Angled Lounge
BL120L-28

Laptop Table x 2
BTLM-6

Single Planter Table
BTP1M-12

Effortless smooth lines and a texturally rich material palette describe this collection.



Angled Lounge
BL120L-28
**Armrest/
Laptop Cushion**
Laptop Table
BTLL-6

**Freestanding
Screen**
BS-28

**Straight
Lounge**
BLSL-165

CoffeeTable
BTCL-12



**Freestanding
Screen**
BS-28

Straight Lounge
BLSR-215

**Armrest/
Laptop Cushion**

Coffee Table
BTCM-12



Evoking collaboration with a focus
on comfortable communication.

Single Planter Table
BTP1M-12

Straight Lounge
BLSE-165

FEATURES

System elements include both short and long segments and 120° angled modules. Metal features are powder coated with a warm textured tone.

A suggestion of privacy and seclusion is further defined by the freestanding soft diffused screening in Gabriel Nemo stretch fabric offered in two colours.

This modular system balances with harmonious

juxtaposition, coffee tables, side tables and planters as they work alongside casual sofas creating areas for waiting, resting and meeting.

Complementary loose scatter cushions are available in two dimensions: 600mm x 300mm & 450mm x 450mm. As well there is an optional detached armrest or laptop rest cushion 500mm x 350mm x 150mmH.



Angled lounge
BL120L-28

Bayou creates moments for working, gathering, and relaxation in graphic dynamic formats.

Angled lounges x 1
BL120L-28

Angled lounges x 2
BL120R-20

Armrest/Laptop Cushion x 2

Laptop Table x 2
BTLM-6

Angled Lounge
BL120L-28





Freestanding Screens

BS-20 & BS-28

Angled Lounge

BL120L-28

Sactter & Laptop Cushions

CoffeeTable

BTCL-12

Laptop Table

BTLL-6



CoffeeTable
BTCL-12



Laptop Table
BTLL-6





CoffeeTable
BTCL-12



Laptop Table [detail]



FINISHES

Bayou seating elements and table bases are fully upholstered in approved contract fabrics, leather and vinyl.

Dulux colour Dune textured powder coat finish is standard to metal legs and optional 4mm metal table and planter table tops. 13mm Black compact laminate is a standard finish for tables and planter table tops.

100% AUSTRALIAN DESIGN AND MANUFACTURED

Designed by Frag Woodall and
manufactured by Swiss Design.

Angled lounge x 2
BL120R-28

Freestanding Screen
BS-20

Laptop Table
BTLM-6

Laptop Cushion



ENVIRONMENTALLY SUSTAINABLE

Water based glues; GECA approved foams and FSC timbers which are all standard in every piece manufactured by Swiss Design who pioneered many of the industry's sustainable practices.



Angled lounge
BL120R-28



Laptop Table
BTLM-6





Freestanding Screen
BS-28

Single Planter Table
BTP1M-12

Straight Lounge
BLSR-215

Laptop & Sactter Cushion

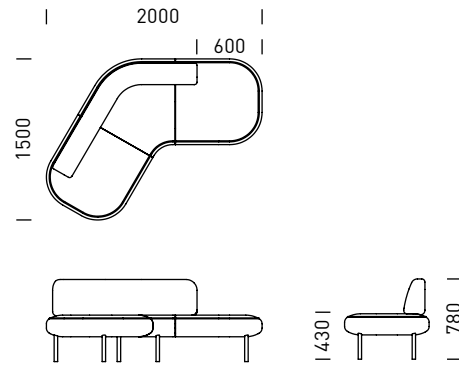




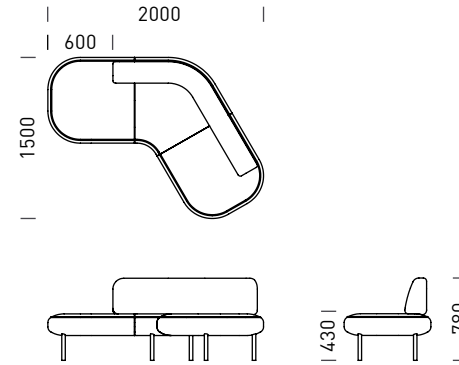
Single Planter Table
BTP1M-12

DIMENSIONS

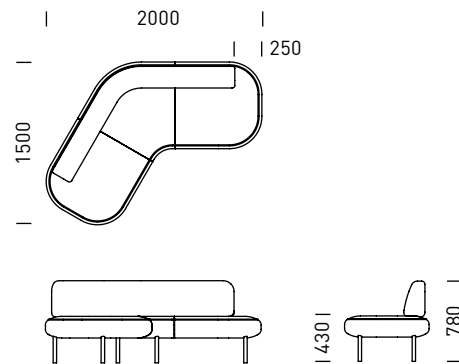
BL120L-20
120° Angle - Back positioned to LHS



BL120R-20
120° Angle - Back positioned to RHS

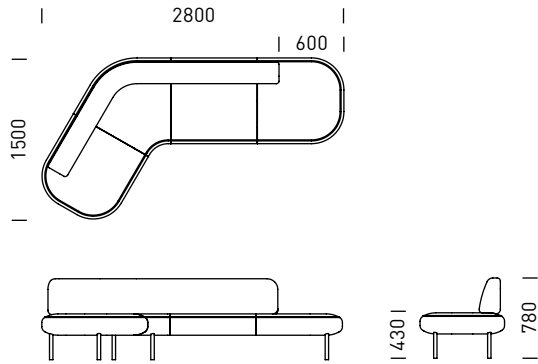


BL120E-20
120° Angle - Back Centred



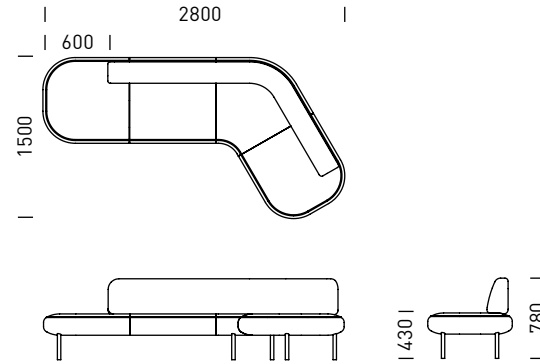
BL120L-28

120° Angle - Back positioned to LHS



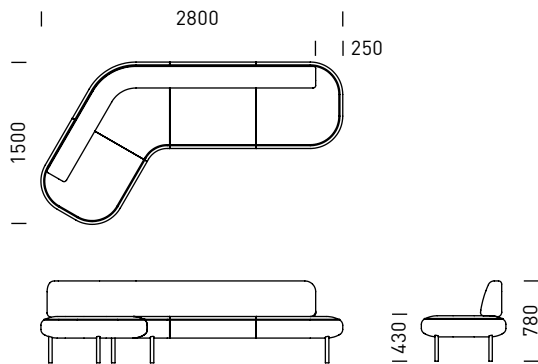
BL120R-28

120° Angle - Back positioned to RHS



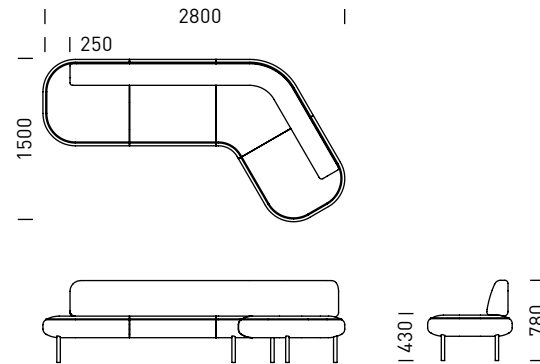
BL120LE-28

120° Angle LHS - Back Centred

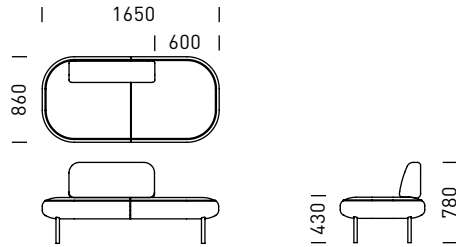


BL120RE-28

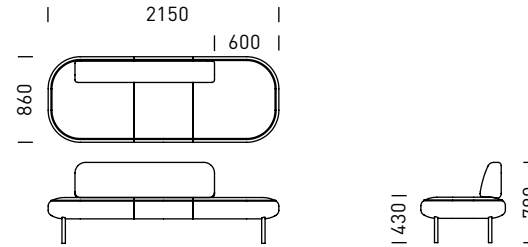
120° Angle - Back Centred



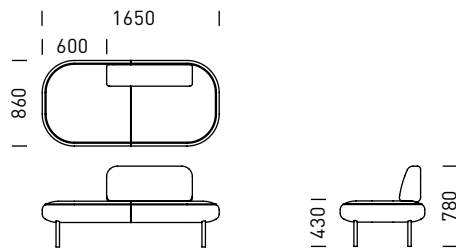
BLSL-165 Straight - Back positioned to LHS



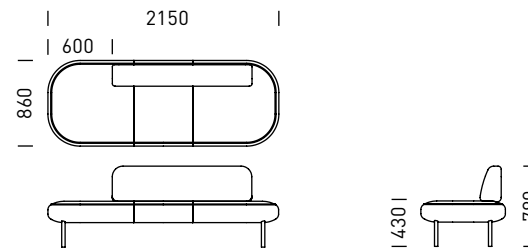
BLSL-215 Straight - Back positioned to LHS



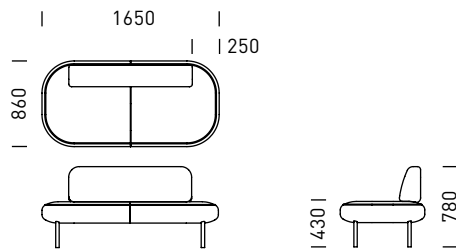
BLSR-165 Straight - Back positioned to RHS



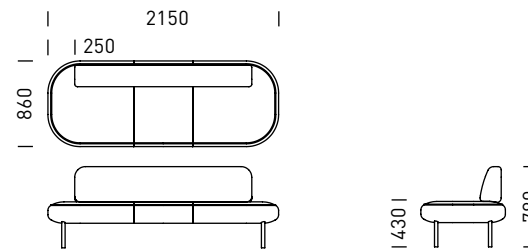
BLSR-215 Straight - Back positioned to RHS



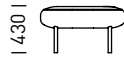
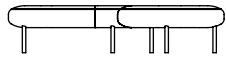
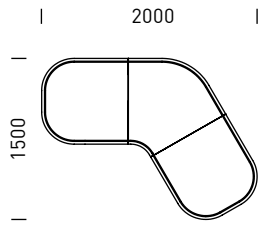
BLSE-165 Straight - Back Centred



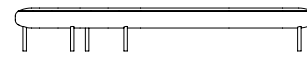
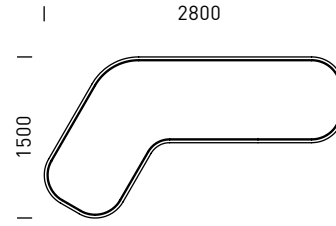
BLSE-215 Straight - Back Centred



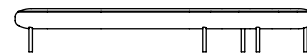
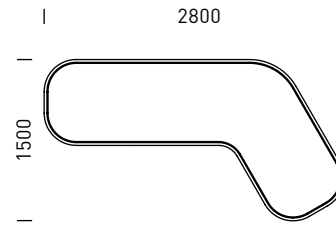
B0120E-20
120° Angle Ottoman



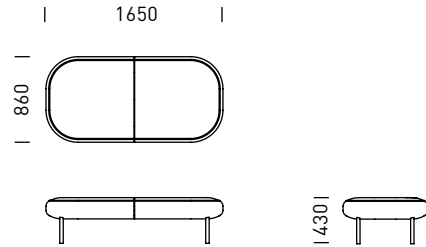
B0120L-28
120° Angle Ottoman - LHS



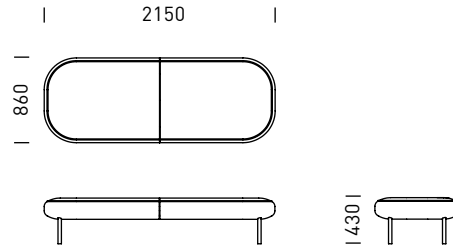
B0120R-28
120° Angle Ottoman - RHS



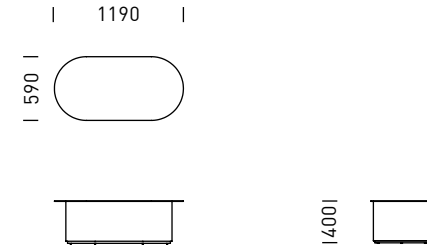
BOS-165
Straight Ottoman



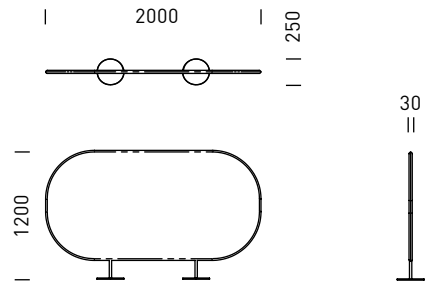
BOS-215
Straight Ottoman



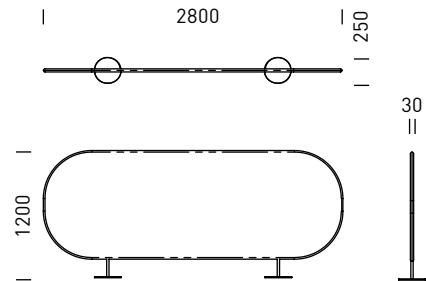
BTCM-12 Coffee Table
- Metal Top, Colour: Dune



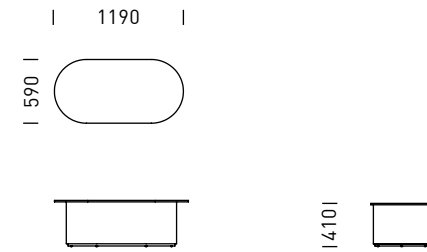
BS-20
Freestanding Screen



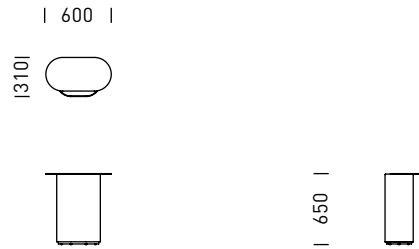
BS-28
Freestanding Screen



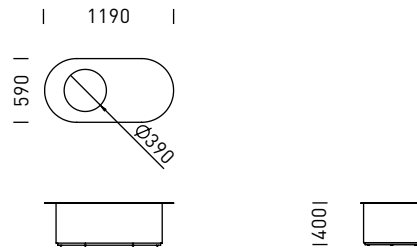
BTCL-12 Coffee Table
- Compact Laminate Top, Colour: Black



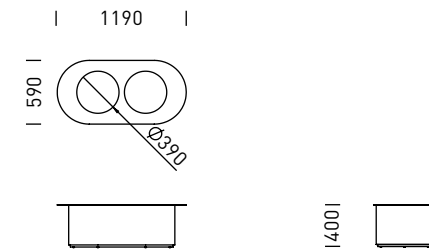
BTLM-6 Laptop Table
- Metal Top, Colour: Dune



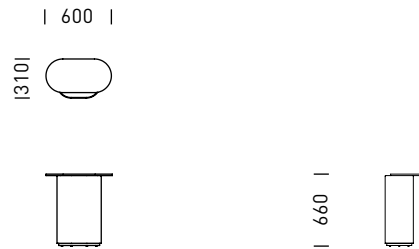
BTP1M-12 Single Planter Table
- Metal Top, Colour: Dune



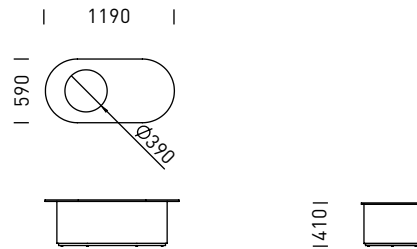
BTP2M-12 Double Planter Table
- Metal Top, Colour: Dune



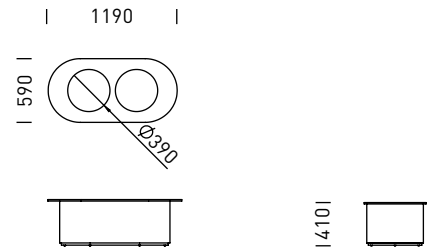
BTLL-6 Laptop Table
- Compact Laminate Top, Colour: Black



BTP1L-12 Single Planter Table
- Compact Laminate Top, Colour: Black



BTP2L-12 Double Planter Table
- Compact Laminate Top, Colour: Black

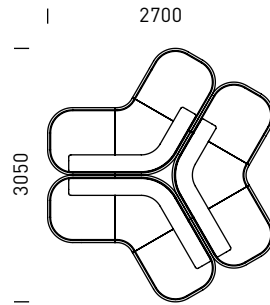
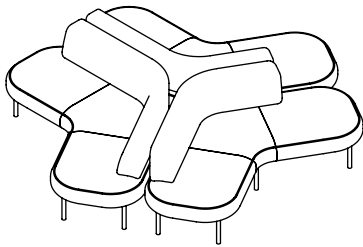


CONFIGURATIONS

[Drawings not to scale]

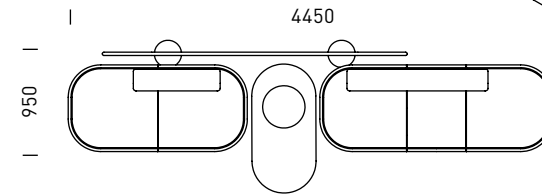
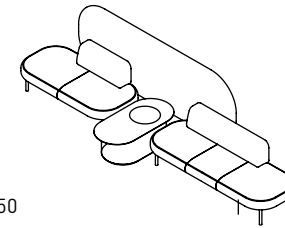
01

BL120E-20 Lounge (3)



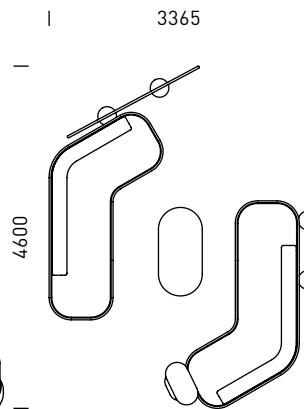
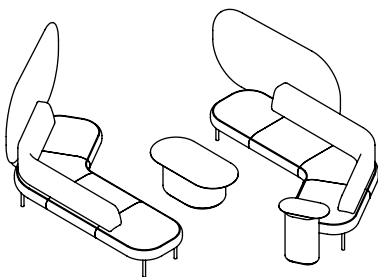
03

BLSR-165 Lounge
BLSL-215 Lounge
BS-28 Screen
BTP1M-12 Planter



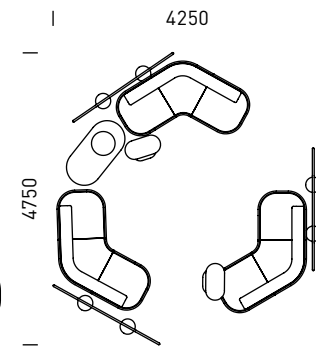
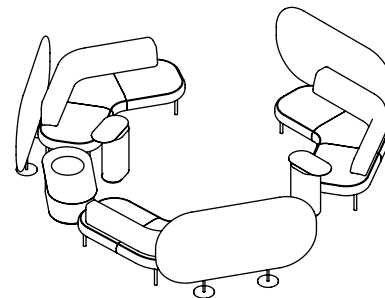
02

BL120R-28 Lounge (2)
BS-20 Screen (2)
BTCM-12 Coffee Table
BTLM-6 Laptop Table



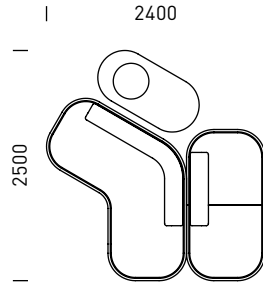
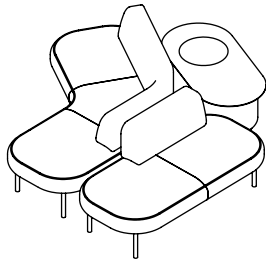
04

BL120E-20 Lounge (3)
BS-20 Screen (3)
BTP1M-12 Planter
BTLM-6 Laptop Table (2)



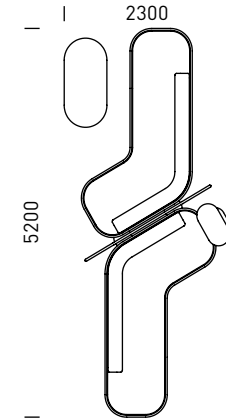
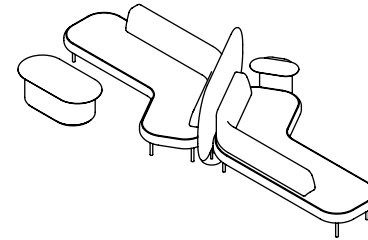
05

BLSR-165 Lounge
BL120L-20 Lounge
BTP1M-12 Planter



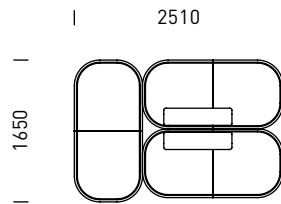
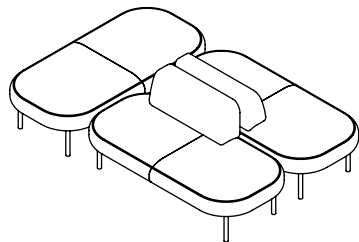
07

BL120R-28 Lounge (2)
BS-20 Screen
BTCM-12 Coffee Table
BTLM-6 Laptop Table



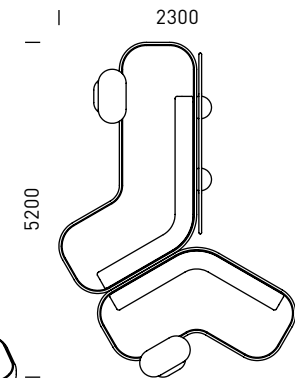
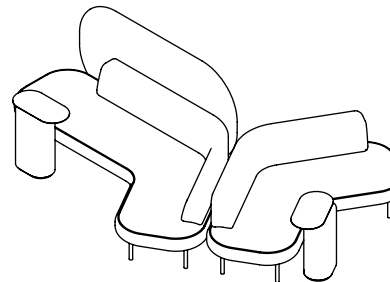
06

BLSL-165 Lounge
BLSR-165 Lounge
BOS-165 Ottoman



08

BL120R-28 Lounge
BS-20 Screen
BL120E-20
BTLM-6 Laptop Table (2)



UPHOLSTERY MATERIAL USED

LOUNGES:



CAMIRA
ZAP
BOING
ZAP21



CAMIRA
ARMADILLO
SECURE
AM015



CAMIRA
ZAP
ZOINK
ZAP24



VERA PELLE
TOCCARE
AVOCA



VERA PELLE
TOCCARE
NORFOLK

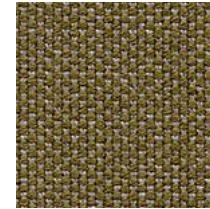


VERA PELLE
TOCCARE
COCCO

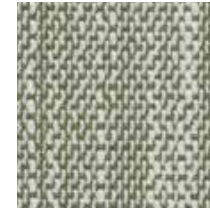
TABLE/PLANTER BASES:



CAMIRA
MAINLINE
FLAX
PADDINGTON
MLF39



CAMIRA
ZAP
BOING
ZAP21



KVADRAT
LILA
951



PELLE
LEATHERS
TOLEDO
DIM 4520



VERA PELLE
TOCCARE
NORFOLK

CARE & MAINTENANCE

FABRIC

- Upholstered products such as lounges should be protected from direct sunlight as this may lighten fabric colour
- Vacuum regularly on low suction
- Regularly rotate reversible cushions to allow even fading

LEATHER

- Upholstered products such as lounges should be protected from direct sunlight, direct heat and weather
- Regularly dust with a clean dry duster

POWDER COATED & CHROME STEEL

- Chair and table legs should be wiped down with a soft damp cloth
- Do not use abrasive cleaning products

LAMINATE

- Desks & tables should be cleaned with a soft, damp cloth
- Do not use abrasive cleaning products
- Wipe any liquid spills away quickly



**SWISS
DESIGN**
FURNITURE
MAKER
SINCE 1976