

**BAYOU**

Layers of  
luxury.



**SWISS  
DESIGN**  
FURNITURE  
MAKER  
SINCE 1976

[SWISSDESIGN.COM.AU](http://SWISSDESIGN.COM.AU)

## **ALL SORTS OTTOMANS, LOUNGES, LOUNGER, CHAISE & CORNER LOUNGES**

Rich, luxurious, and inviting just like the loveable confectionery that inspired its name.


By masterfully layering contrasting densities of foam Swiss Design have achieved a soft yet supportive seat. Wrapped with an overlay of luxurious feather and down, the All Sorts range provides a softer aesthetic with commercial endurance.

### **ALL SHAPES**

All Sorts features small & large ottomans - square, rectangle and round; single lounge; double lounges, double lounges with left & right arm options; chaise lounge, single lounger and 90 degree corner lounges with radius or straight back.

Just like  
the loveable  
confectionery  
that inspired  
its name.

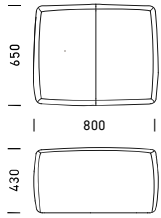


The image features three round, tufted poufs. One is a deep red, one is a bright orange, and one is a golden yellow. Each pouf is divided into four quadrants by a double-stitched diamond pattern. They are set against a dark, textured background.

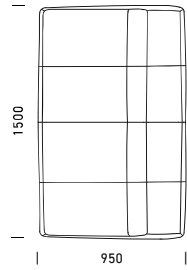
Wrapped with an  
overlay of luxurious  
feather and down.

# ALL SORTS

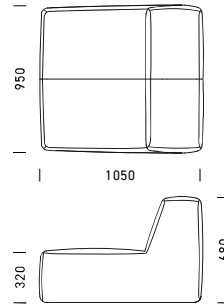
Small Ottoman



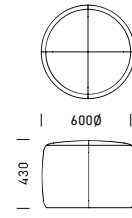
Double Lounge



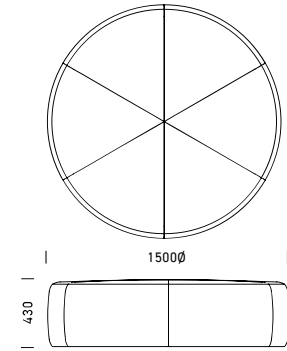
Single Lounger



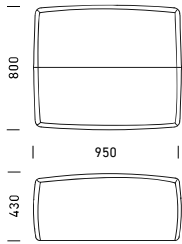
600 Ottoman



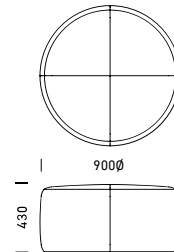
1500 Ottoman



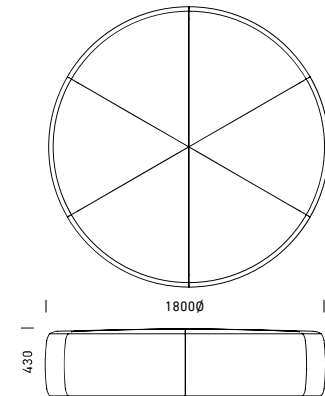
Large Ottoman



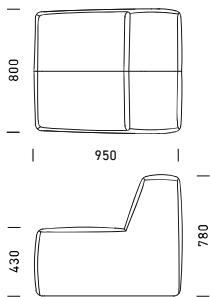
900 Ottoman



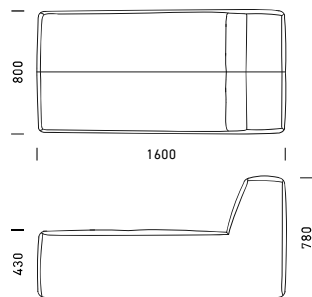
1800 Ottoman



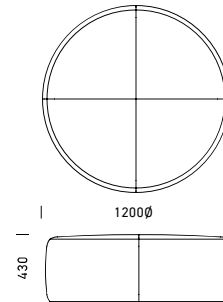
Single Lounge



Chaise Lounge

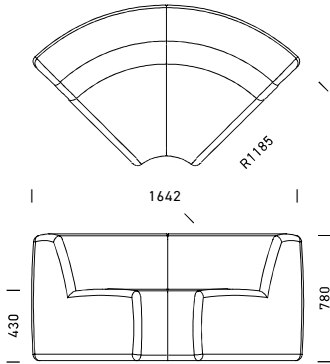


1200 Ottoman

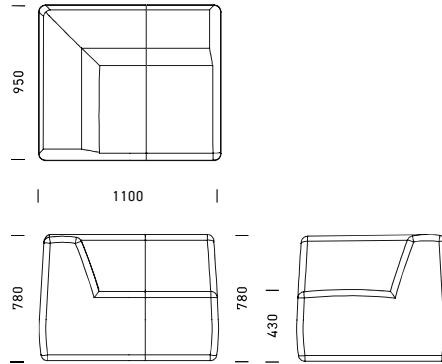


## ALL SORTS ADDITIONS

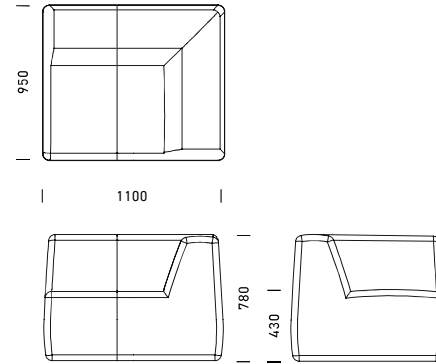
Corner Lounge, Radius Back



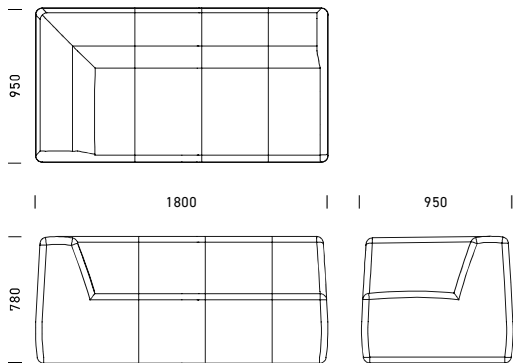
Single Lounge, Left Arm



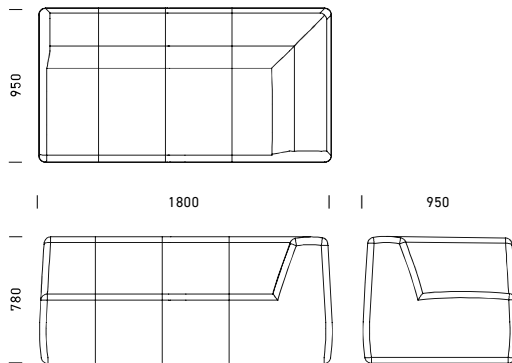
Single Lounge, Right Arm



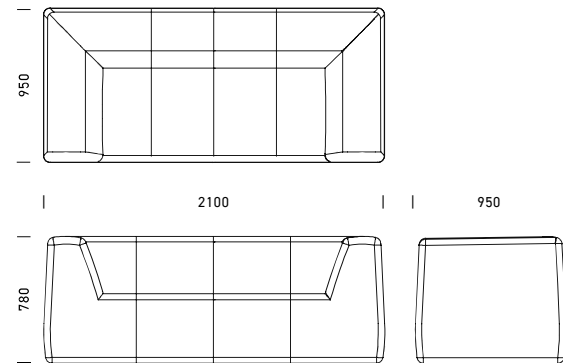
Double Lounge, Left Arm



Double Lounge, Right Arm

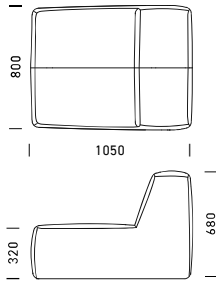


Double Lounge, Left & Right Arm

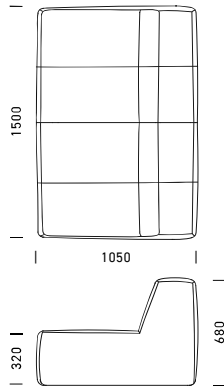


## ALL SORTS SOFT

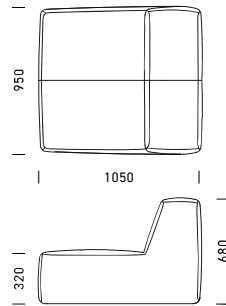
Single Lounge



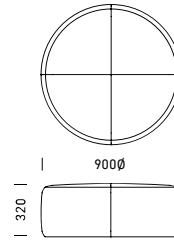
Double Lounge



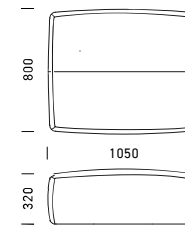
Single Lounger



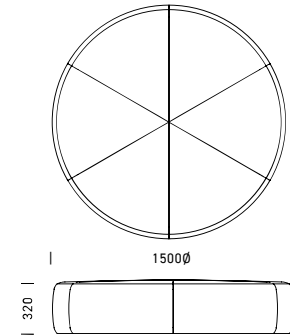
900 Ottoman



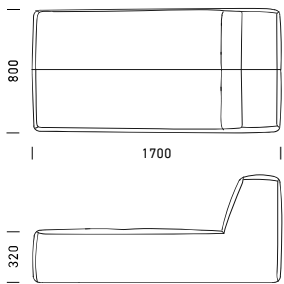
Large Ottoman



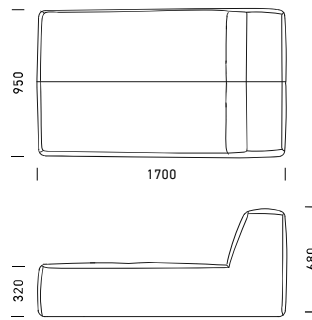
1500 Ottoman



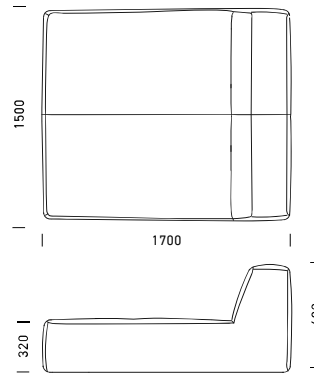
800 Chaise Lounge



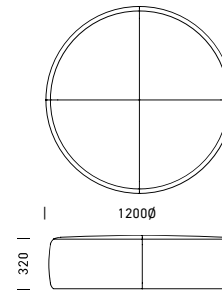
950 Chaise Lounge



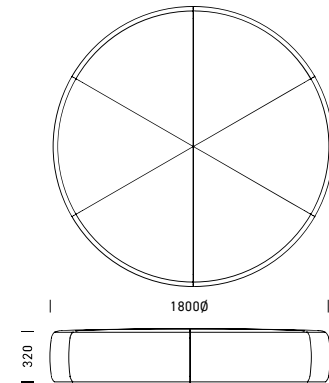
1500 Chaise Lounge



1200 Ottoman

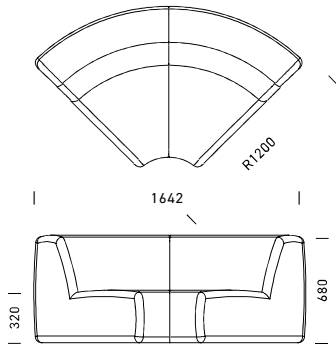


1800 Ottoman

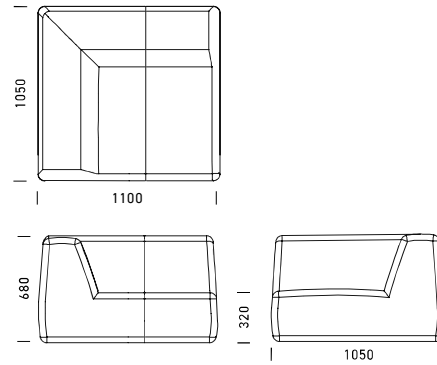


# ALL SORTS SOFT

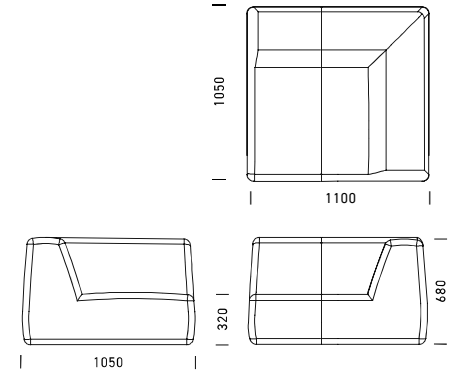
### Corner Lounge, Radius Back



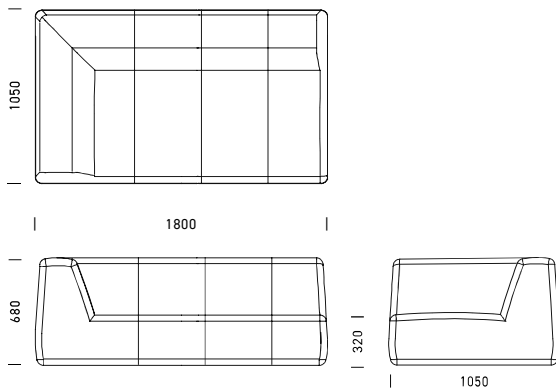
### Single Lounge, Left Arm



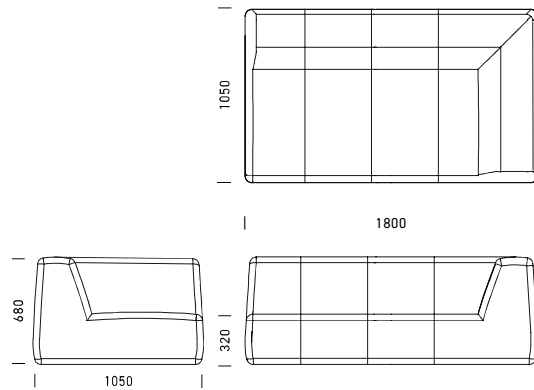
### Single Lounge, Right Arm



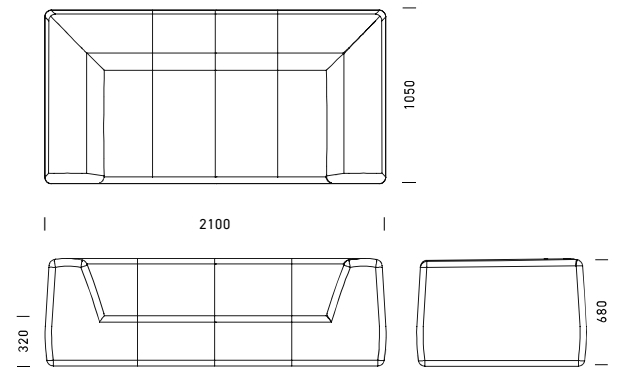
### Double Lounge, Left Arm



### Double Lounge, Right Arm



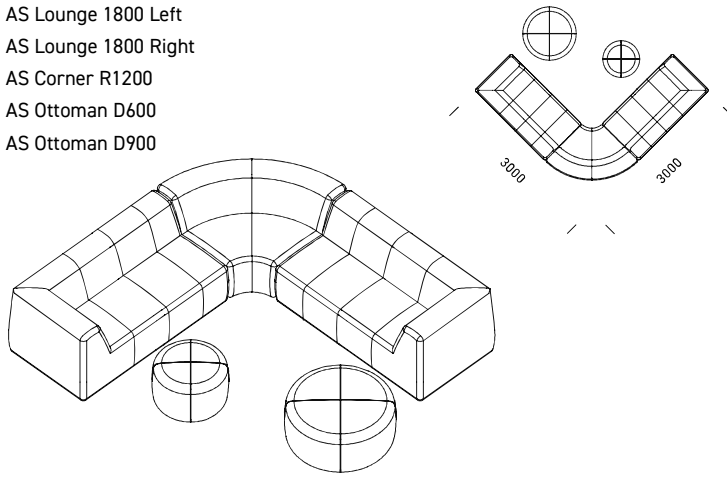
### Double Lounge, Left & Right Arm



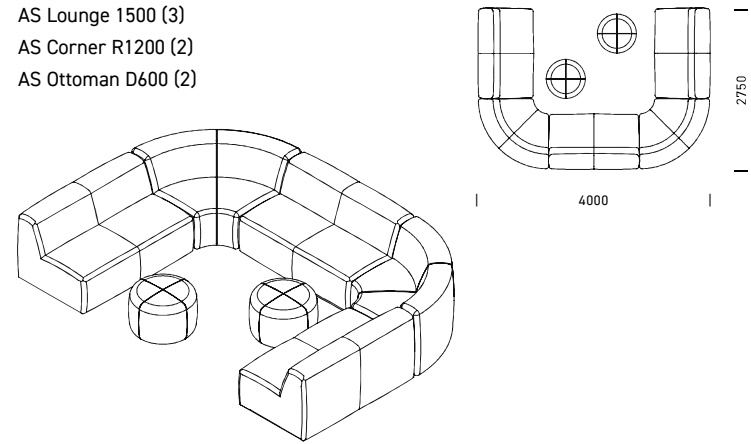
## ALL SORTS - CONFIGURATIONS

ISOMETRIC DRAWINGS ARE NOT TO SCALE

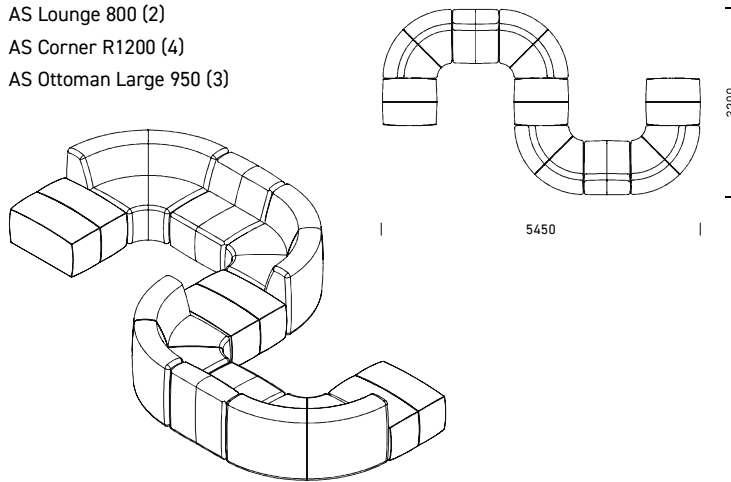
- 01 AS Lounge 1800 Left  
 AS Lounge 1800 Right  
 AS Corner R1200  
 AS Ottoman D600  
 AS Ottoman D900



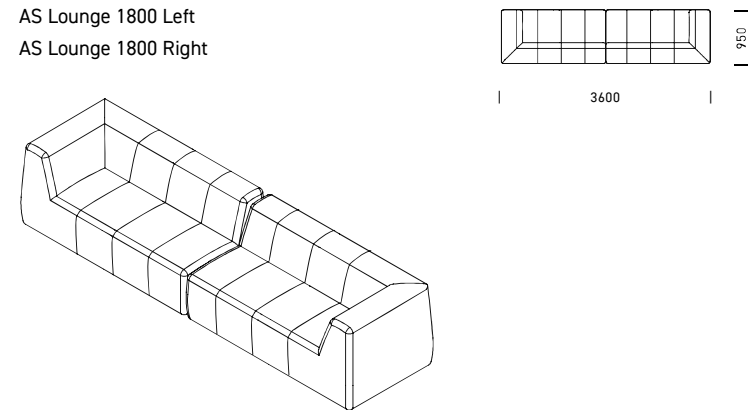
- 03 AS Lounge 1500 (3)  
 AS Corner R1200 (2)  
 AS Ottoman D600 (2)



- 02 AS Lounge 800 (2)  
 AS Corner R1200 (4)  
 AS Ottoman Large 950 (3)



- 04 AS Lounge 1800 Left  
 AS Lounge 1800 Right

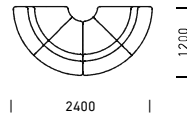
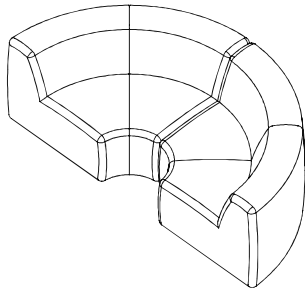




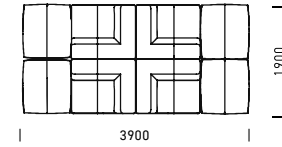
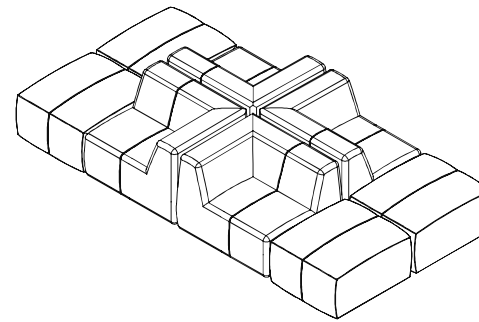
## ALL SORTS - CONFIGURATIONS

ISOMETRIC DRAWINGS ARE NOT TO SCALE

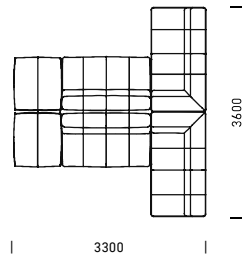
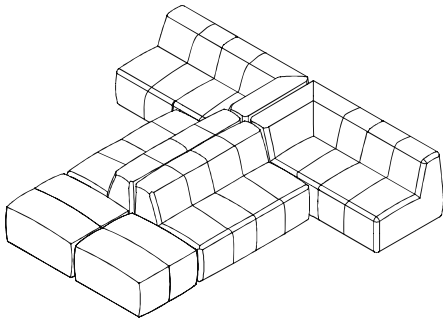
05 AS Corner R1200 (2)



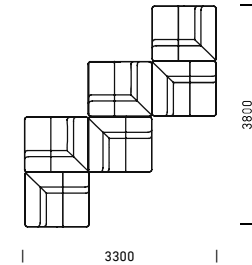
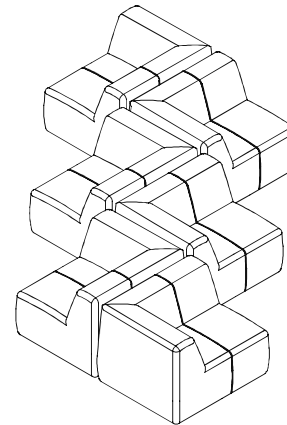
07 AS Lounge 1100 Left (2)  
AS Lounge 1100 Right (2)  
AS Ottoman Large 950 (4)



06 AS Lounge 1800 Left  
AS Lounge 1800 Right  
AS Lounge 1500 (2)  
AS Ottoman Large 950 (2)



08 AS Lounge 1100 Left (6)









Engage and  
collaborate.



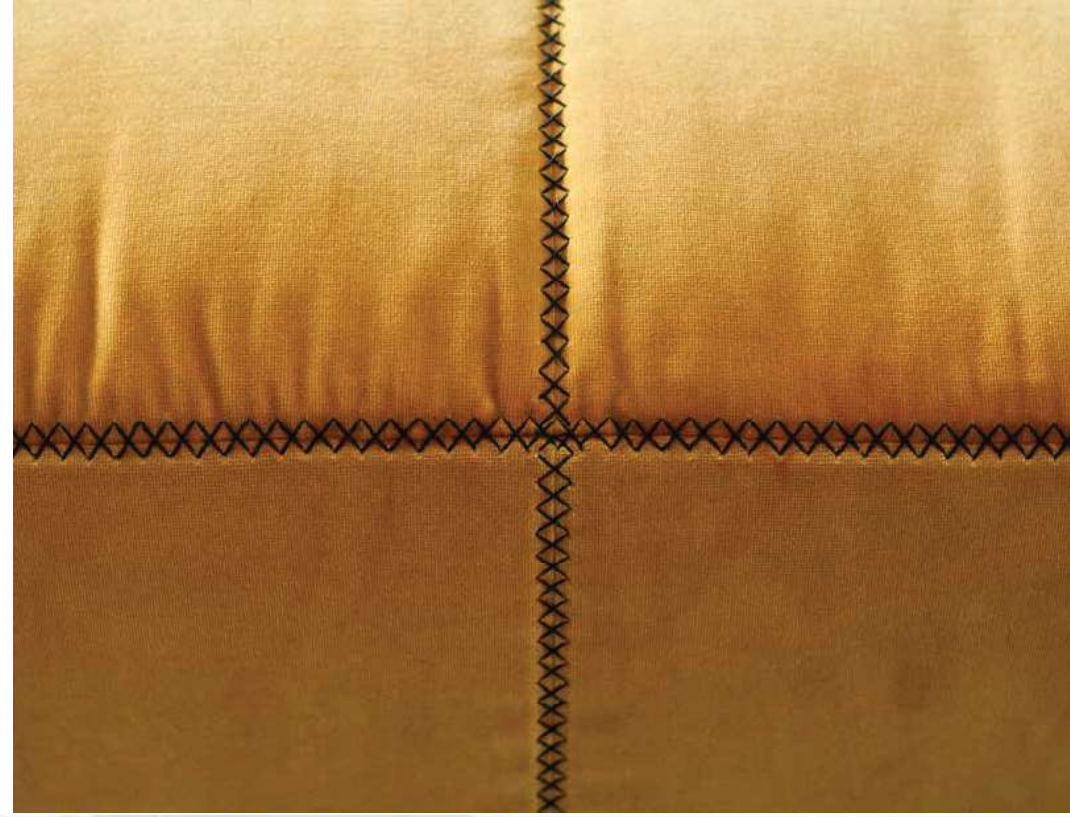
A softer aesthetic with commercial endurance.

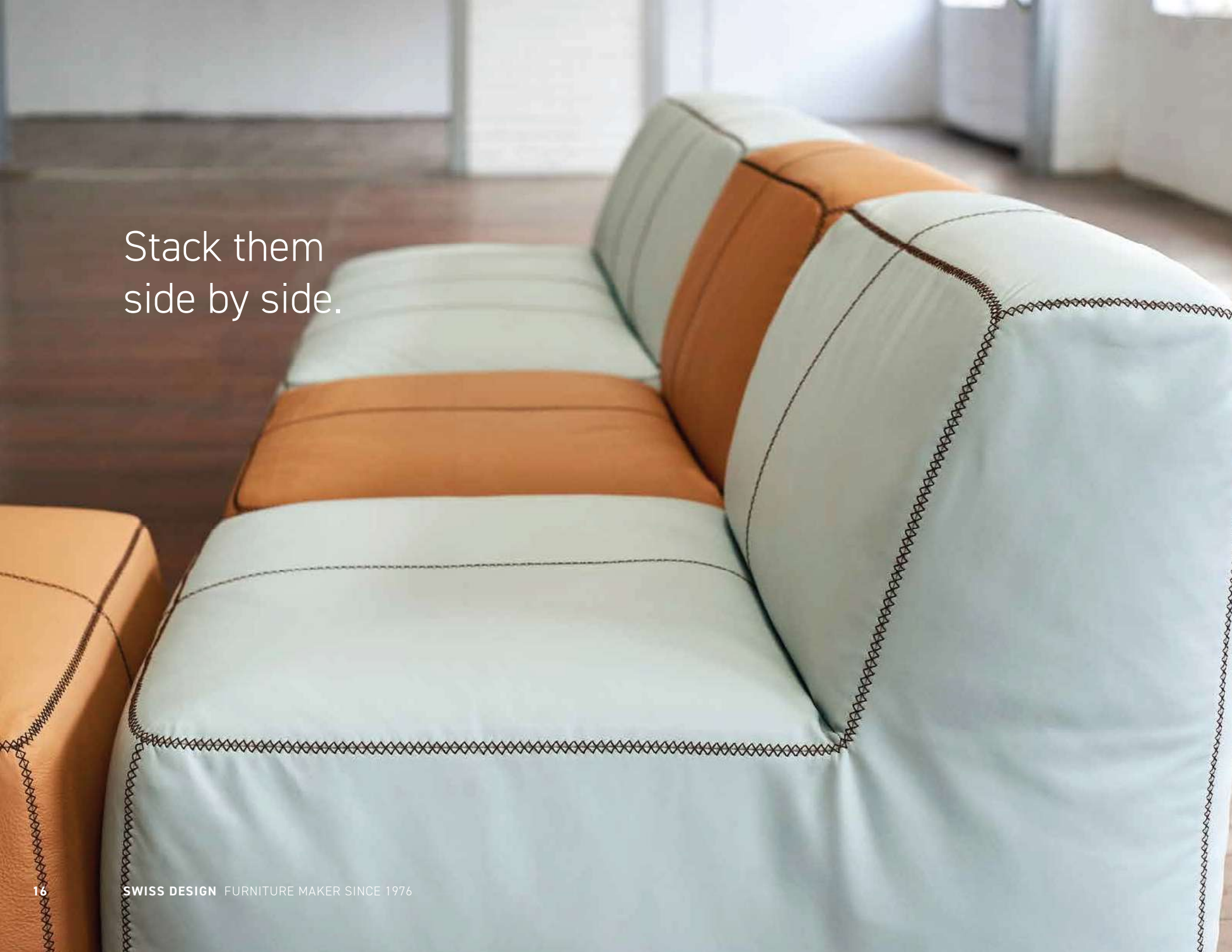
Sweeping curved combinations  
using radius corner lounges.



## FINISHES

All Sorts is finished in your choice of contract fabric or leather and features a European style cross stitch detail, with the thread available in a range of colours.



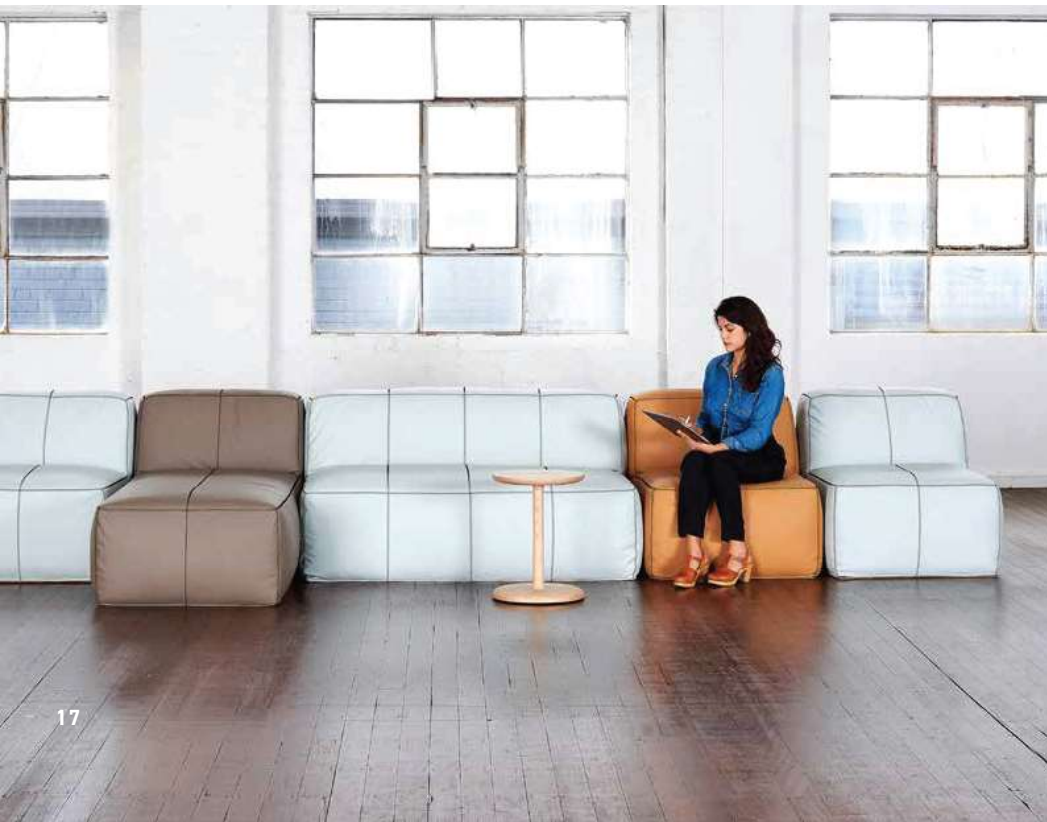


Stack them  
side by side.



## 100% AUSTRALIAN DESIGNED AND MANUFACTURED

We are passionate about the upholstery trade and making furniture pieces with consideration for customisation, time and the environment, to a level of quality few can replicate.



## ENVIRONMENTALLY SUSTAINABLE

Swiss Design pioneered many of the industry's sustainable practices: Water based glues; GECA approved foams and FSC timbers which are all standard in every piece manufactured in our factories.



All Sorts in all weather.

**APPROVED UPHOLSTERY  
MATERIAL AND OUTDOOR FOAM**



For the pedantic we can provide covers – great for keeping it clean.



## CARE & MAINTENANCE

### FABRIC

- Upholstered products such as lounges should be protected from direct sunlight as this may lighten fabric colour
- Vacuum regularly on low suction
- Regularly rotate reversible cushions to allow even fading

### LEATHER

- Upholstered products such as lounges should be protected from direct sunlight, direct heat and weather
- Regularly dust with a clean dry duster

### POWDER COATED & CHROME STEEL

- Chair and table legs should be wiped down with a soft damp cloth
- Do not use abrasive cleaning products

### LAMINATE

- Desks & tables should be cleaned with a soft, damp cloth
- Do not use abrasive cleaning products
- Wipe any liquid spills away quickly



**SWISS  
DESIGN**  
FURNITURE  
MAKER  
SINCE 1976